

Winding Machine Inquiry Form

Compact machine

Your data will be used to provide a quote and possibly used in final production. To minimize errors, please give us comprehensive information that is as exact as possible. Please provide all measurements in millimeters (mm).

1.0 Contact Data

1.1 Company

1.2 Address

1.3 Contact person

1.4 Phone No.

1.5 Mobile Phone

1.6 Email

2.0 Machine Type

2.1 Are you already considering a machine?

3.0 Material Details

3.1 Winding material

3.2 Shape of the material

Only round material

Round and flat material

3.3 Winding material diameter min

mm max

mm

3.4 Steel braided | steel inserts

Yes

No

3.5 Kevlar armoring

Yes

No

3.6 Fiber-optic cable

Yes

No

4.0 Additional Details

4.1 Electrical connection values

V

Hz

4.2 Machine design

Stationary

Mobile

4.3 Drive unit

Yes

No

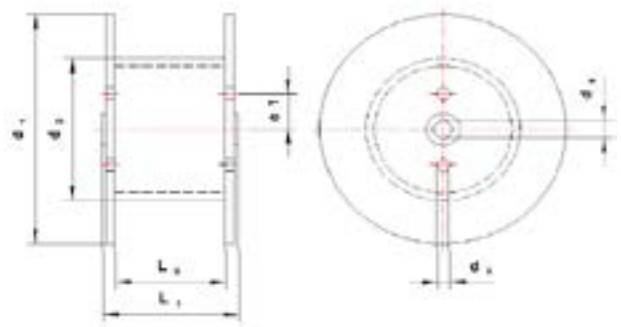
Winding Machine Inquiry Form

Compact machine

5.0 Winder Requirements

5.1	Do you want to wind reels or rings? (reels: fill out item 6; rings: fill out item 7)	Reels	Rings	Both
5.2	Number of reels per day	approx.	at length	m
5.3	Number of rings per day	approx.	at length	m
5.4	Do you need an automatic traversing system?		Yes	No
5.5	Would you like a consultation regarding an unwinder?		Yes	No

6.0 Reel Data for Winder

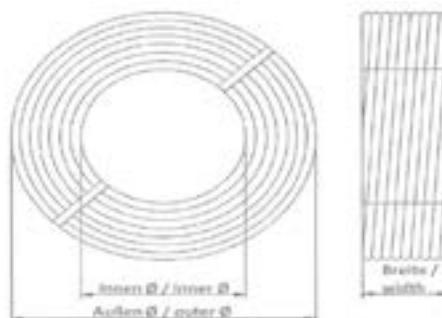


6.1	Diameter	min.	mm	max.	mm
6.2	Core diameter	min.	mm	max.	mm
6.3	Diameter reel bore	min.	mm	max.	mm
6.4	Mounting hole	min.	mm	max.	mm
6.5	Width	min.	mm	max.	mm
6.6	Weight	min.	mm	max.	mm
6.7	Output reel with foil		Yes		No

Winding Machine Inquiry Form

Compact machine

7.0 Ring Data for Winder



7.1	Outer diameter	min.		mm	max.		mm
7.2	Inner diameter	min.		mm	max.		mm
7.3	Width	min.		mm	max.		mm
7.4	Weight	min.		mm	max.		mm

Notes

Date

Filled out by... (name)

Company name